

FELCON FE810 DUO centrifuge line

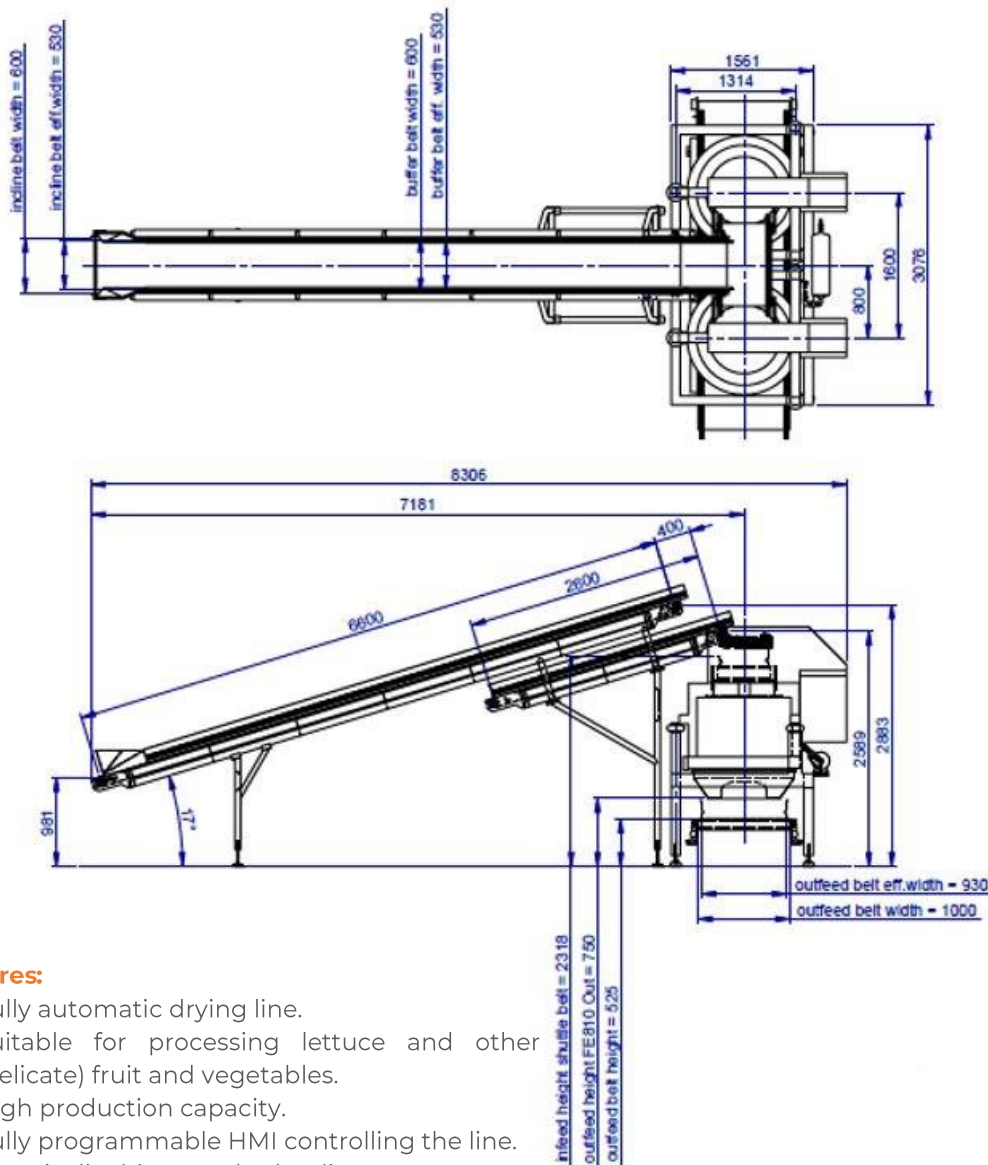


The FE810 DUO line is the solution for drying/dewatering lettuce, onions, vegetables and plant based materials. The Felcon dewatering lines have proven to be the most reliable, efficient and economical solution for food processing lines. Because of the small number of moving parts the amount of failures is held to a minimum.

The FE810 DUO line is designed to double the capacity of the single line.

The lay-out drawing is showing a standard configuration. Upon request Felcon can also propose tailor made solutions.

Furthermore Felcon would be happy to integrate this DUO centrifuge line into your total line concept.



Features:

- Fully automatic drying line.
- Suitable for processing lettuce and other (delicate) fruit and vegetables.
- High production capacity.
- Fully programmable HMI controlling the line.
- Electrically driven, no hydraulics.
- Heavy duty construction.
- Hygienic execution.
- Easy to clean.
- Maintenance friendly.

Optional:

- Tailor made engineering.
- Remote access.

Capacity:

The capacity depends on the type of product you would like to process, the input, and the output.

Let's have a talk to find the best fitting centrifuge for your company!